

# 4" Diesel Pump

## Vacuum Assisted – dBa Silencer

### Product Description

Diesel engine driven centrifugal pump equipped with vacuum-assisted priming system.

Trailer mounted for easy transportation and enclosure for sound attenuation, having the following additional features: Run dry mechanical seal, Auto-start control, monitoring of fuel level, engine load, run time, oil and coolant temperature, and telemetry system.

### Technical Data

#### Operating Parameters

Min. / Max. Flow	280 gpm / 1380 gpm
Min. / Max. Shutoff Head	57 ft (25psi) / 158 ft (68psi)
Maximum Casing Pressure	150 psi
Maximum Temperature	200°F
Maximum Solid Size	3 inch
Min. / Max. Pump Speed	1200 rpm / 2000 rpm

#### Pump & Accessory Specifications

Suction / Discharge Size	4 inch / 4 inch
Impeller Diameter	10.09 inch
Vacuum System - Type / Capacity	Diaphragm / 50 CFM

Casing	Cast Iron
Impeller	CA6NM Stainless Steel
Wear Ring	Cast Iron
Shaft	Stressproof Steel
Mechanical Seal Faces	Tungsten/Silicon-Carbide
Mechanical Seal Lubrication	ISO Viscosity Grade 32 or Lower <i>(synthetic recommended)</i>
O-rings & Gaskets	Buna-N & Viton
Check Valve Body	Ductile Iron
Check Valve Flapper	Buna-N
Check Valve Type	Swing type

#### Driver Properties

	Type A	Type B
Driver Type	Diesel Engine	Diesel Engine
Driver Make	Cummins	Duetz
Model	QSF 2.8	D2.9L
Max. Continuous Rating	49 hp	49 hp
Total Displacement	2.8 liters	2.9 liters
Aspiration	Turbocharged	Naturally aspirated
Number of Cylinders	4	4
Safety Shutdowns	Low Oil Pressure, High Temp.	Low Oil Pressure, High Temp.
Fuel Consumption	1.6 gal/hr @ 1800 rpm	1.7 gal/hr @ 1800 rpm
Run Time	52.9 hours @ 1800 rpm	59.5 hours @ 1800 rpm
Fuel Type	No. 2 Diesel: <b>NO BIODIESEL</b>	No. 2 Diesel: <b>NO BIODIESEL</b>
Fuel Capacity	120 U.S. gallons	100 U.S. gallons
Noise Rating	70 dBa @ 30 feet	68 dBa @ 23 ft



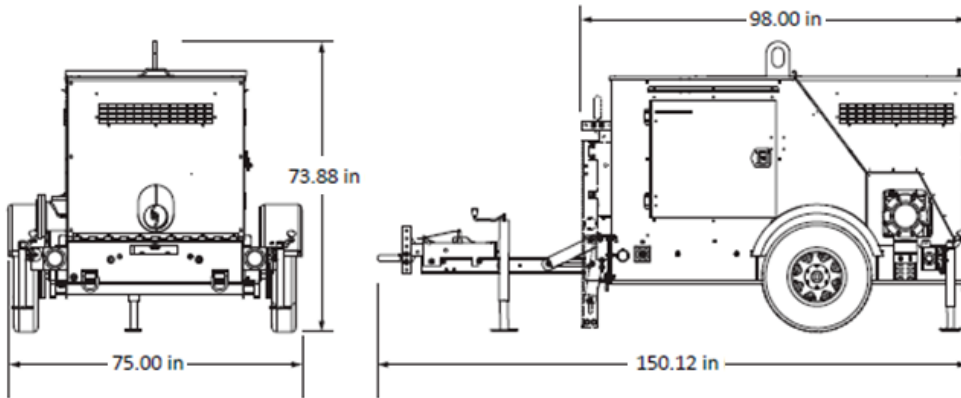
### Notes

- Performance data based on water at 60°F
- Run time indicated is for reference and could vary based on speed and engine loads
- Maximum temperature is the equipment material limitation. Based on the application, process, product and NPSH requirements, the maximum allowable temperature could be lower
- This pump is also available with a 20 CFM venturi-compressor priming system

# 4" Diesel Pump

## Vacuum Assisted – dBa Silencer

### Dimensional Drawing

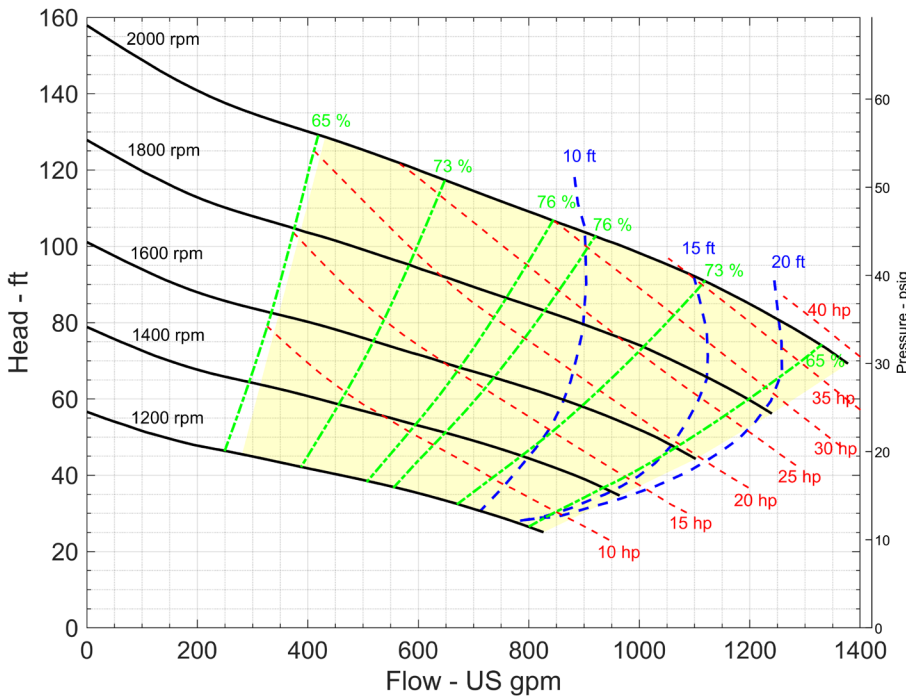


### Dimensional Details

Type A	
Total Weight wo/Fuel	3586 lbs
Total Weight w/Fuel	4400 lbs
Overall Height	74 inch
Overall Width	75 inch
Overall Length	150 inch

Type B	
Total Weight wo/Fuel	4102 lbs
Total Weight w/Fuel	4812 lbs
Overall Height	74 inch
Overall Width	75 inch
Overall Length	150 inch

### Performance Curve



Pump Make	Cornell
Pump Model	4NNT
Operating Speed	Variable
Min. Speed	1200 rpm
Max. Speed	2000 rpm
Impeller Rated Dia.	10.09 inch
Impeller Type	Enclosed
No. of Impeller Vanes	2
Solid Dia.	3 inch
Specific Speed	1900 US Units
Suction Size	4 inch
Discharge Size	4 inch



100 First Stamford Place, Ste 700  
Stamford, Ct 06902 | USA

UnitedRentals.com | 800.UR.RENTS

© 2018 United Rentals, Inc.