

Dual 10K Kleen Water Filter

RM Model/Make: Dual 10K Water / AA Tech; Robinson

Product Description

This system is designed for continuous aqueous phase treatment of groundwater or wastewater, and has the ability to remove contaminants to non-detectable levels. The influent stream may be drawn in through the system in either series or parallel flow, and can operate on one vessel only while the other is in backwash mode.

Technical Data

Weights and Measures

Max. Flowrates	Up to 600 gpm in series or 1200 gpm in parallel (application dependent)
Max. Pressure	100 psi
Max. Temperature	150°F
Max. Height	10'-6"
Width	8'-0" (skid)
Length	25'-0" (skid)
Diameter	96" (each vessel)
Shipping Weight (empty)	41,100 lbs. (equipment – 21,100 lbs; activated carbon – 20,000 lbs)
Operating Weight	81,100 lbs. (including 40,000 lbs. water)

Wetted Materials for material compatibility check

Carbon Steel*	Shell and heads
304 Stainless Steel	Bottom underdrain; Upper distributor header
316 Stainless Steel	Bottom nozzles
Neoprene	Manway gaskets
Carboline Plasite 4110	Internal Liner

* Theoretically if the vessel has an interior liner, no carbon steel should be exposed to the liquid. However, if there are areas of thin or missing liner, bare carbon steel will be exposed. It is always a good idea to check compatibility of carbon steel even if the vessel interior is lined.

Filter Media

Types	<ul style="list-style-type: none"> • Activated Carbon • Organoclay • Ion Exchange Resin • Specialty Media
Volume	320 cu. ft per vessel (640 cu. ft. total)
Weight	~10,000 lbs. each vessel (20,000 lbs. total)

Miscellaneous Data

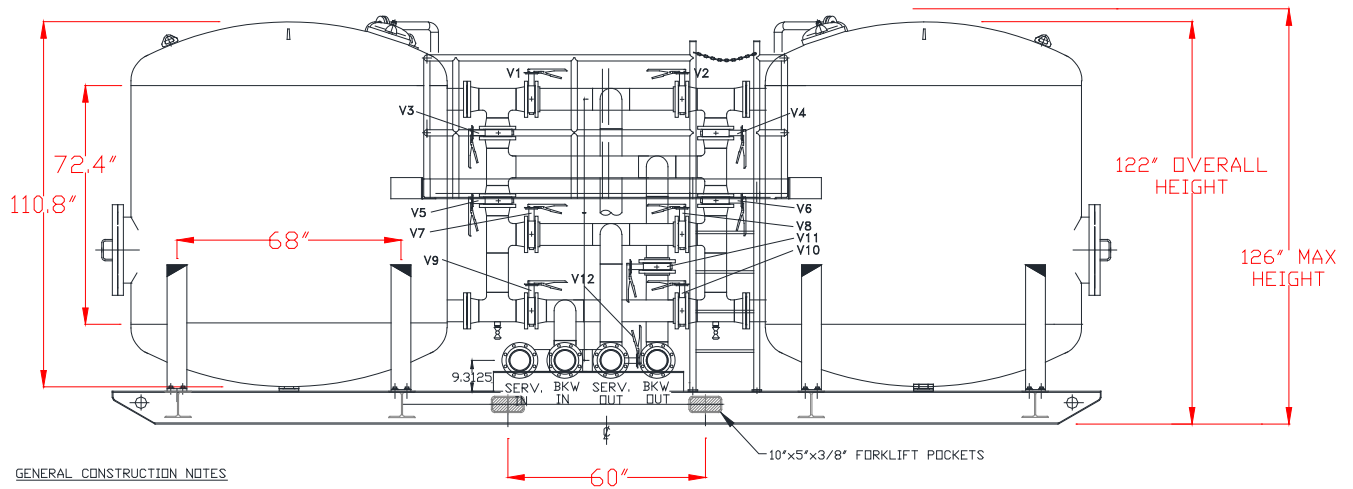
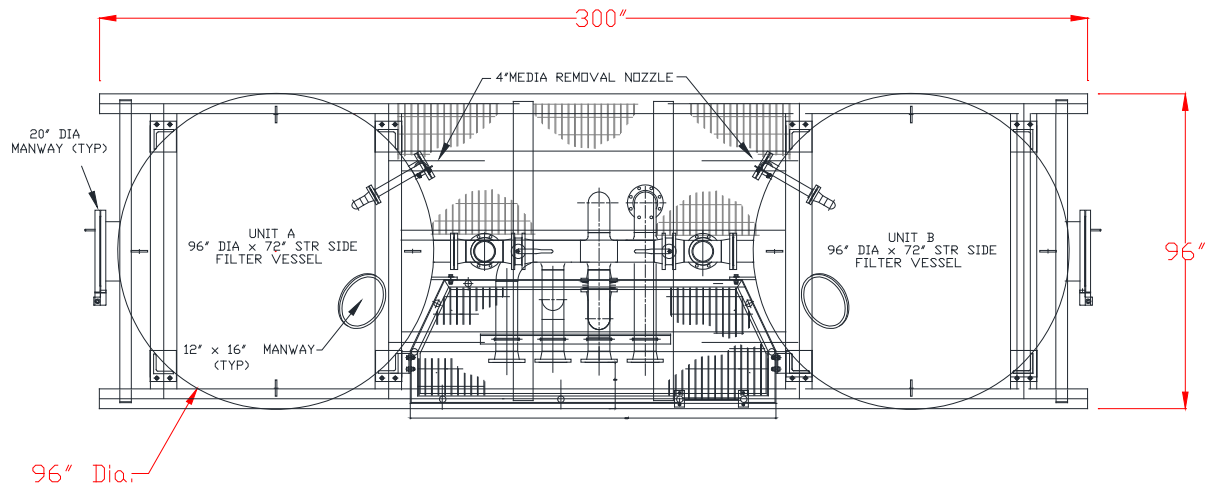
Vessel Code	ASME Code stamped for 100 psi @ 150°F.
Service In/Out	6" Flanged connection w/ sch. 40 piping
Backwash In/Out	6" Flanged connection w/ sch. 40 piping
Manifold Valves	6" Lever-operated cast iron butterfly
Media Removal	4" top-mounted nozzle with draw connec- tion at grade
Internals	Lower Underdrain: 304 SS 6" header/2"x1" drop strainer type constructed of & 316SS nozzles Upper Distributor: 6" header/3" open end riser type constructed of 304 SS
Platform	Galvanized grating with perimeter guardrails
Vessel Interior Access	Top manway – 12"x16" elliptical Side manway – 20" round
Manway Gaskets	Neoprene
Interior Coating	Polyamine epoxy coating



NOTE: Wet activated carbon preferentially removes oxygen from air. In closed or partially closed containers and vessels, oxygen depletion may reach hazardous levels. If workers are to enter a vessel containing carbon, appropriate procedures for potentially low oxygen spaces must be followed, including all federal and state requirements.

Dual 10K Kleen Water Filter

RM Model/Make: Dual 10K Water / AA Tech; Robinson



GENERAL CONSTRUCTION NOTES



100 First Stamford Place, Ste 700
Stamford, Ct 06902 | USA

UnitedRentals.com | 800.UR.RENTS

© 2018 United Rentals, Inc.

To the best of our knowledge the technical data contained herein are true and accurate at the date of issuance and are subject to change without prior notice. No guarantee of accuracy is given or implied because variations can and do exist. NO WARRANTY OR GUARANTEE OF ANY KIND IS MADE BY UNITED RENTALS, EITHER EXPRESSED OR IMPLIED.